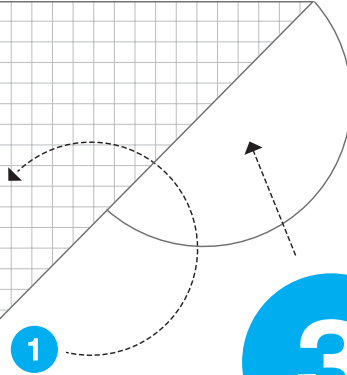




FLATGOODS

Custom Furniture & Displays in No Time Flat



1



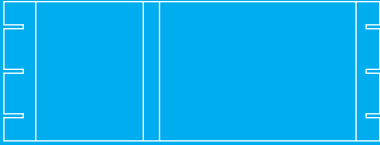
2

Kids' Ettore Chair

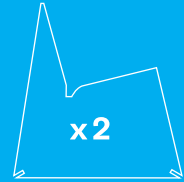
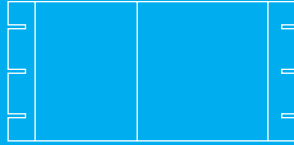
Assembly Instructions

Parts

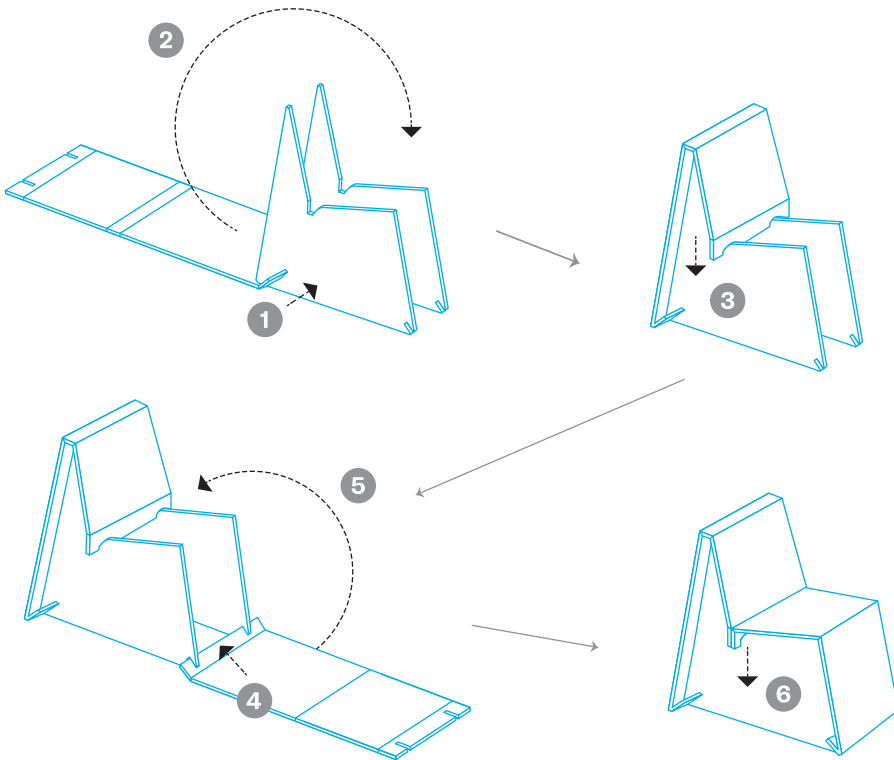
Seat Back & Back of Chair



Seat & Leg



Inserts



Assembly Tips

With Flatgoods, no fasteners are required! It's a series of folds and tabs that fit tightly together. A few words of advice:

1. Use two hands and apply gentle, even pressure
2. Be patient; forcing is never good.
3. Be sure that joints and tabs are pushed all the way together. This ensures a snug and sturdy fit.

Enjoy your Flatgoods to the fullest.

- Keep 'em dry. If you spill on your Flatgoods, wipe it up quickly and let it dry before use.
- Feel free to assemble and disassemble your Flatgoods as often as you like, but remember: they're cardboard.
- Treat your Flatgoods with care, use them for intended purpose, and you'll be amazed how long they will last. Simple as that!

FLATGOODS

